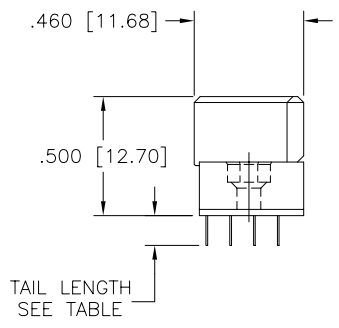
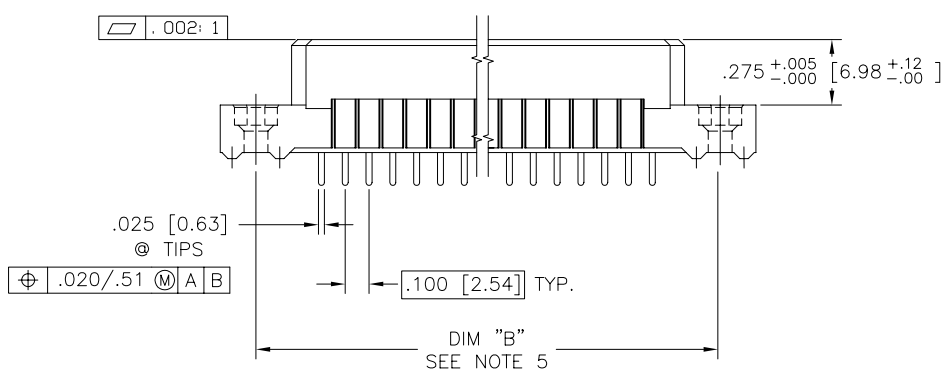
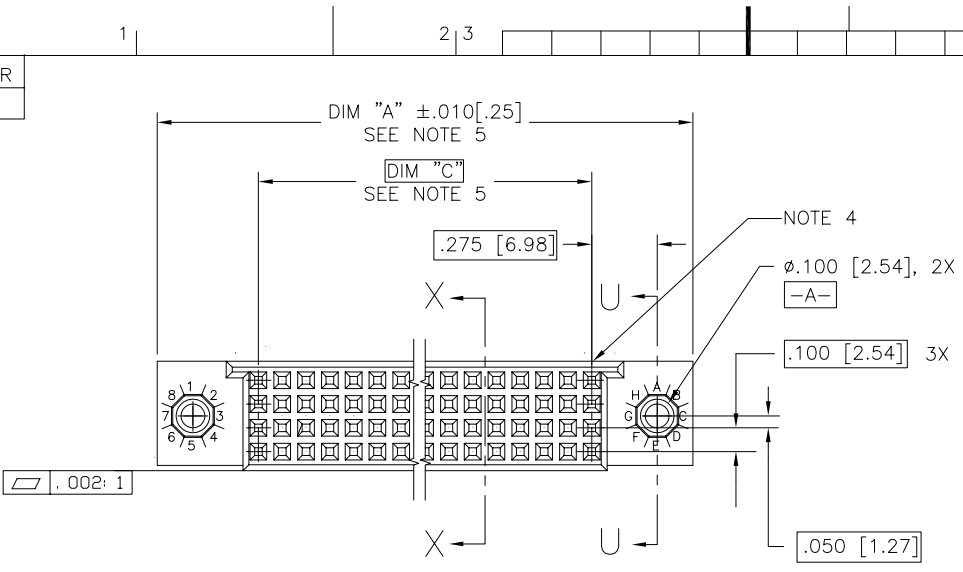


PRODUCT NUMBER  
SEE TABLE



FCI  
FCIconnect.com

Copyright FCI

mat'l. code NOTE 3		surface ISO 1302 ✓		tolerance ISO 406 ISO 1101		projection INCH/MM		product family HPC	
ltr	ecn	no	dr	date	tolerances unless otherwise specified		title		
K	v41291	MDF		9/8/94	angles	linear	.xx±.01/.3	4 ROW VERTICAL RECEPTACLE	
L	v50348	LSS		6/15/95			.xxx±.005/.13	SOLDER TO BOARD, 0 GUIDE PIN	
M	v90140	HTB		2/16/99	0°±2'		.xxxx±.0020/.051		
N	v00258	JWS	1/21/00	dr	D.SHEAFFER		10/7/92	scale 1:1	sheet 1 of 3 size
P	v12267	MEM	9/29/01	enr	S.CLARK		10/7/92	FCI	50388 A3
R	v05-0755	DAI	10/14/05	chr	S.CLARK		10/7/92		
S	M06-0283	MHT	7/27/06	appd	S.CLARK		10/7/92		
sheet	revision	S	S	S					
index	sheet	1	2	3					

form: A3

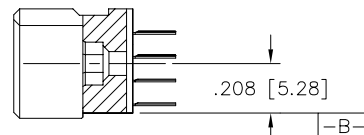
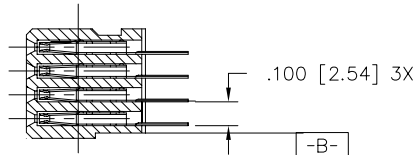
PRODUCT NUMBER  
SEE TABLE

NOTES:

① PRODUCT NUMBERING CODE:  
50388 - X YYY Z LF  
LEAD FREE (OPTIONAL)  
TAIL LENGTH SEE TABLE  
NO. OF POSITIONS SEE NOTE 2  
PLATING SEE TABLE  
BASE NUMBER

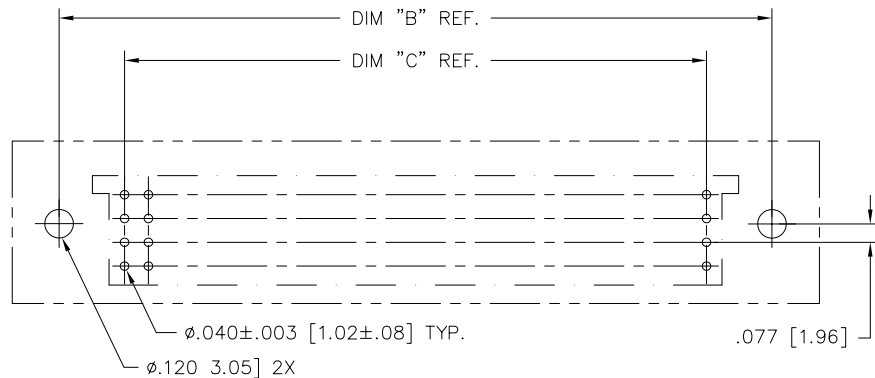
PRODUCT NUMBERING CODE FOR  
SELECT LOAD PARTS:  
50388 - XX YYY  
LEAD FREE (OPTIONAL)  
SEQUENCE NUMBER  
ALWAYS XX  
BASE NUMBER

- ② THIS PRODUCT IS CONFIGURED IN SIZES OF 10 THRU 80 COLUMNS IN INCREMENTS OF ONE. i.e.: 10,11,12,13,.....79,80.
- ③ HOUSING MATERIAL: GLASS AND MINERAL FILLED HIGH TEMP. THERMOPLASTIC. FLAME RETARDANT PER UL94V-0. COLOR: BLACK. CONTACT MATERIAL: BeCu
- ④ MANUFACTURE'S NAME, P/N AND LOT CODE TO APPEAR ON THIS SURFACE AS PER BUS-12-108.
- ⑤ LENGTH FORMULAS  
DIM A = .100/2.54 X NO. OF COLUMNS + .75/19.1  
DIM B = .100/2.54 X NO. OF COLUMNS + .45/11.4  
DIM C = .100/2.54 X NO. OF COLUMNS - .10/2.5
6. THIS PRODUCT (WITH "LF" SUFFIX) MEETS EUROPEAN UNION DIRECTIVES AND OTHER COUNTRY REGULATIONS AS DESCRIBED IN GS-22-008.
7. THIS HOUSING WILL WITHSTAND EXPOSURE TO 260° C PEAK TEMPERATURE FOR 10-30 SECONDS IN A CONVECTION, INFRA-RED OR VAPOR PHASE REFLOW OVEN.



SECTION X-X

SECTION U-U



RECOMMENDED PCB LAYOUT  
(ALL HOLES LOCATED ON .100/2.54 GRID  
UNLESS OTHERWISE SPECIFIED)

mat'l. code		surface		tolerance		projection		product family	
NOTE 3		ISO 1302		ISO 406		ISO 1101		HPC	
ltr	ecn	no	dr	date		tolerances unless otherwise specified		title	
S						angles linear		4 ROW VERTICAL RECEPTACLE	
						0°±2'		SOLDER TO BOARD, 0 GUIDE PIN	
						.xx±.01/.3		dwg no	
						.xxx±.005/.13		sheet 2 of 3 size	
						.xxxx±.0020/.051		50388 A3	
						scale 1:1		type Product Customer Drawing	
				dr		D.SHEAFFER 10/7/92			
				enr		S.CLARK 10/7/92			
				chr		S.CLARK 10/7/92			
				appd		S.CLARK 10/7/92			
sheet	revision								
index	sheet								



FCIconnect.com

Copyright FCI

PRODUCT NUMBER	NUMBER OF POSITIONS SEE NOTE 2	TAIL LENGTH	TAIL PLATING	CONTACT PLATING
50388 -1YYYE	YYY	.125±.010/3.18±0.25	TIN LEAD	30u"/.76u Au
50388 -1YYYF	YYY	.145±.010/3.68±0.25	TIN LEAD	30u"/.76u Au
50388 -1YYYH	YYY	.180±.010/4.57±0.25	TIN LEAD	30u"/.76u Au
50388 -1YYYZ	YYY	.220±.010/5.59±0.25	TIN LEAD	30u"/.76u Au
50388 -3YYYE	YYY	.125±.010/3.18±0.25	TIN LEAD	50u"/1.27u Au
50388 -3YYYF	YYY	.145±.010/3.68±0.25	TIN LEAD	50u"/1.27u Au
50388 -3YYYH	YYY	.180±.010/4.57±0.25	TIN LEAD	50u"/1.27u Au
50388 -3YYYZ	YYY	.220±.010/5.59±0.25	TIN LEAD	50u"/1.27u Au
50388 -5YYYE	YYY	.125±.010/3.18±0.25	TIN LEAD	30u"/.76u GXT
50388 -5YYYELF	YYY	.125±.010/3.18±0.25	TIN	30u"/.76u GXT
50388 -5YYYF	YYY	.145±.010/3.68±0.25	TIN LEAD	30u"/.76u GXT
50388 -5YYYFLF	YYY	.145±.010/3.68±0.25	TIN	30u"/.76u GXT
50388 -5YYYH	YYY	.180±.010/4.57±0.25	TIN LEAD	30u"/.76u GXT
50388 -5YYYHLF	YYY	.180±.010/4.57±0.25	TIN	30u"/.76u GXT
50388 -5YYYZ	YYY	.220±.010/5.59±0.25	TIN LEAD	30u"/.76u GXT
50388 -5YYYZLF	YYY	.220±.010/5.59±0.25	TIN	30u"/.76u GXT



Copyright FCI

mat'l. code NOTE 3		surface ISO 1302 ✓	tolerance ISO 406 ISO 1101	projection 	product family HPC
ltr	ecn no	dr	date	tolerances unless otherwise specified	title
S				angles linear .xx±.01/.3 .xxx±.005/.13 .xxxx±.0020/.051	4 ROW VERTICAL RECEPTACLE SOLDER TO BOARD, 0 GUIDE PIN
				0'±2'	scale 1:1
		dr	D.SHEAFFER	10/7/92	dwg no
		enr	S.CLARK	10/7/92	sheet 3 of 3 size
		chr	S.CLARK	10/7/92	50388 A3
		appd	S.CLARK	10/7/92	type Product Customer Drawing
sheet index	revision sheet				

